





# OTHELLO DOUBLE PLATE

design ridea

~~~~~  
Tutte le caratteristiche e i pregi di Othello Plate moltiplicati per due: si raddoppiano le rese termiche contenendo, però, il suo spessore in soli 15 cm.






~~~~~  
The characteristics and the strong points of Othello Plate are doubled, making for thermal yields twice as high, while the depth of the elements is only 15cm.



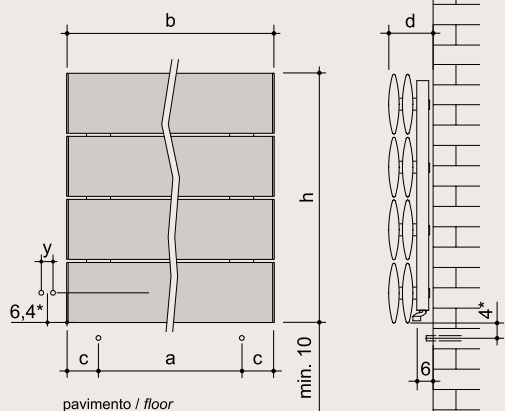
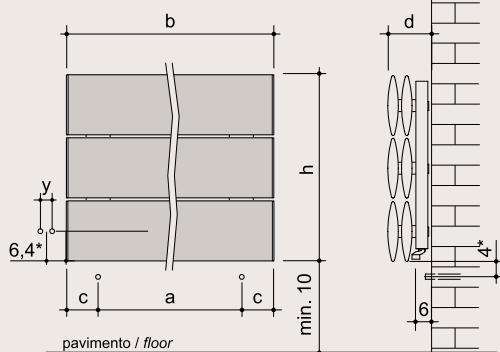
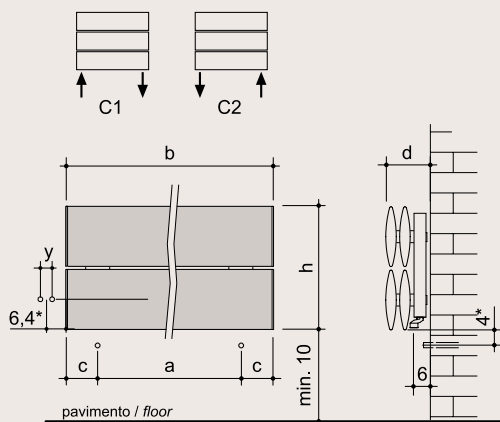
*Finitura fotografata in queste pagine:  
Noir 200 Sablè SW306F.*

*Finish photographed on these pages:  
Noir 200 Sablè SW306F.*

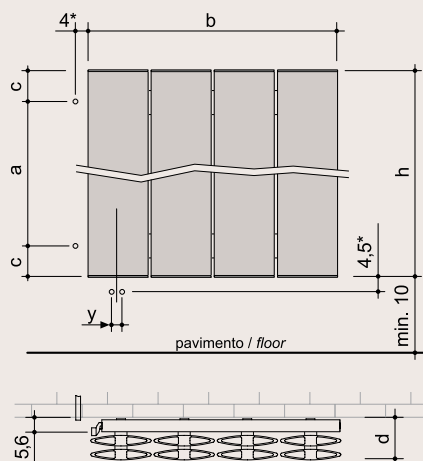
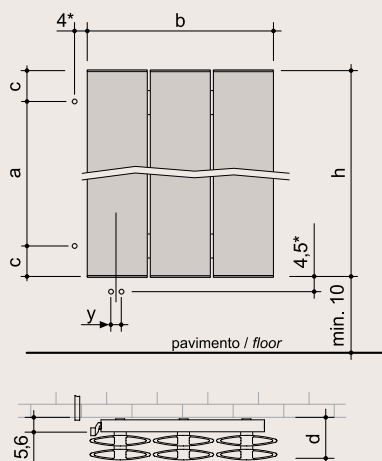
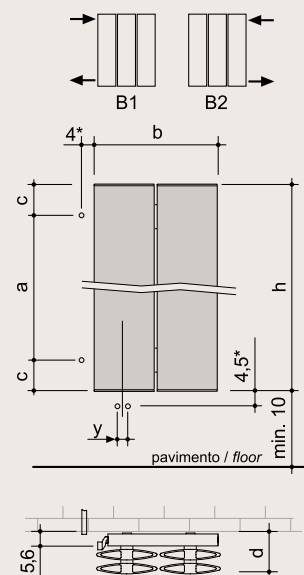
# OTHELLO DOUBLE PLATE

hxb (cm)	n numero elementi/ elements number	peso a vuoto / weight empty (kg)	volume d'acqua / water volume (dm <sup>3</sup> )	a (cm)	c (cm)	d (cm)	e (cm)	Qs resa termica / thermal yield □t 50°C (watt)	Q potenza elettrica / electrical power (watt)	versione mista / combined version	fissa / not opening	fissa / not opening
												
<b>verticale/vertical</b>												
69,0x41,0	2+2	18,6	4,12	48,0	10,5	14,5	-	411	-	-	•	-
89,0x41,1	2+2	20,7	4,57	68,0	10,5	14,5	-	531	-	-	•	-
189,0x41,2	2+2	31,0	6,85	168,0	10,5	14,5	-	1128	-	-	•	-
69,0x62,0	3+3	23,6	7,2	48,0	10,5	14,5	-	618	-	-	•	-
89,0x62,1	3+3	28,1	6,85	68,0	10,5	14,5	-	797	-	-	•	-
189,0x62,2	3+3	44,9	10,27	168,0	10,5	14,5	-	1691	-	-	•	-
69,0x83,0	4+4	31,1	8,22	48,0	10,5	14,5	-	824	-	-	•	-
89,0x83,0	4+4	43,2	9,13	68,0	10,5	14,5	-	1062	-	-	•	-
189,0x83,0	4+4	57,9	13,69	168,0	10,5	14,5	-	2255	-	-	•	-
<b>orizzontale/horizontal</b>												
41,0x69,0	2+2	18,6	4,12	48,0	10,5	14,5	-	411	-	-	-	•
41,0x89,0	2+2	20,7	4,57	68,0	10,5	14,5	-	531	-	-	-	•
41,0x189,0	2+2	31,0	6,85	168,0	10,5	14,5	-	1128	-	-	-	•
62,0x69,0	3+3	23,6	6,17	48,0	10,5	14,5	-	618	-	-	-	•
62,0x89,0	3+3	28,1	6,85	68,0	10,5	14,5	-	797	-	-	-	•
62,0x189,0	3+3	44,9	10,27	168,0	10,5	14,5	-	1691	-	-	-	•
83,0x69,0	4+4	31,1	8,22	48,0	10,5	14,5	-	824	-	-	-	•
83,0x89,0	4+4	43,2	9,13	68,0	10,5	14,5	-	1062	-	-	-	•
83,0x189,0	4+4	57,9	13,69	168,0	10,5	14,5	-	2255	-	-	-	•

Per connessioni di tipo:  
For connections type:



Per connessioni di tipo:  
For connections type:



\*.  
utilizzando valvole Ridea  
y.  
attacco per impianto monotubo  
interasse 3,8 cm per tubi rame,  
multistrato e ferro utilizzando  
valvole Ridea  
~~~~~  
\*.  
using Ridea valves  
y.  
connection for single pipe 3,8  
cm centre to centre distance  
for copper and multilayer pipes  
using Ridea valves